

Biometric Technology Provider

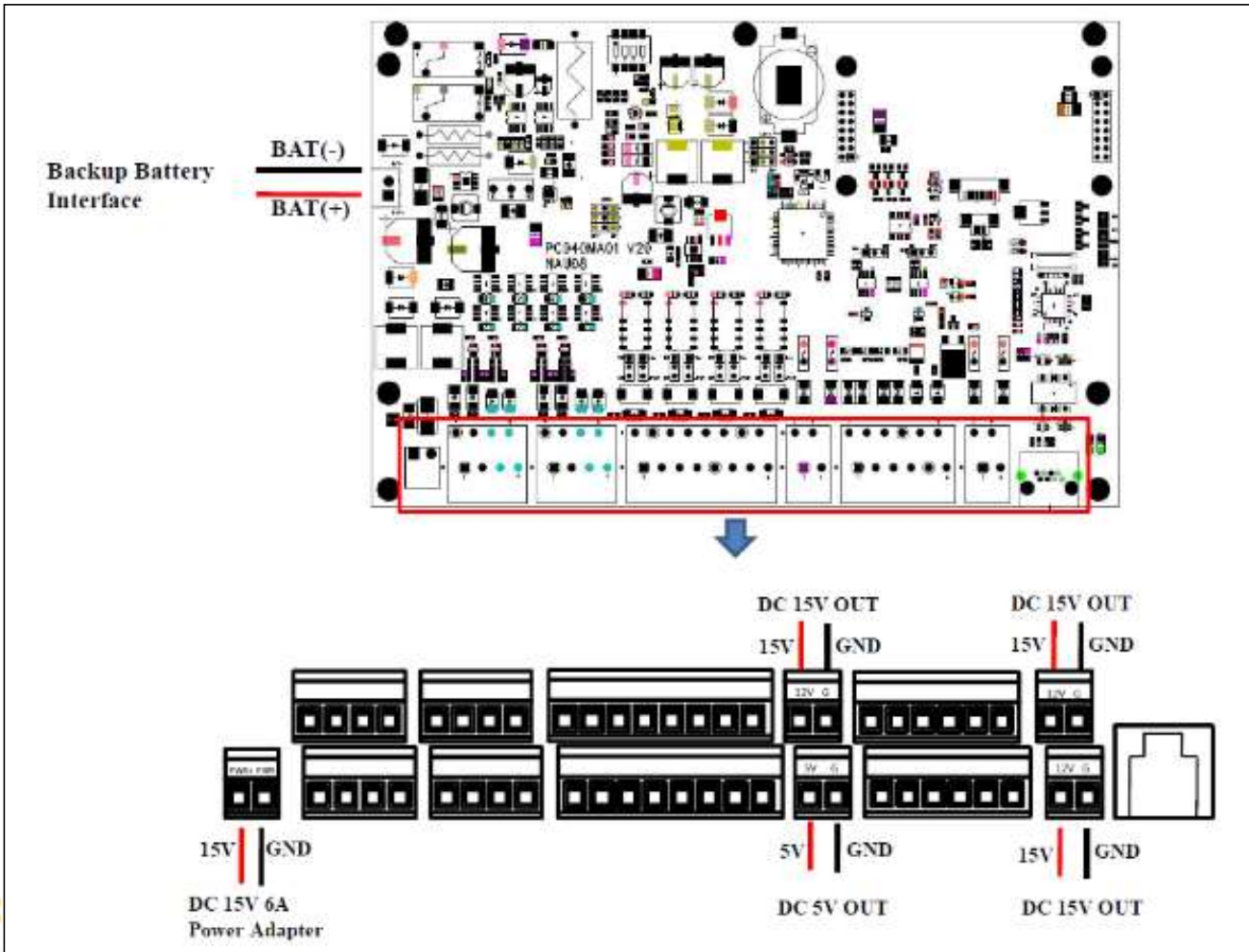
# How to Connect MCP040(V2.0) with AC terminals via RS485

ACCESS CONTROL  
TIME ATTENDANCE  
MANAGEMENT  
SOLUTIONS

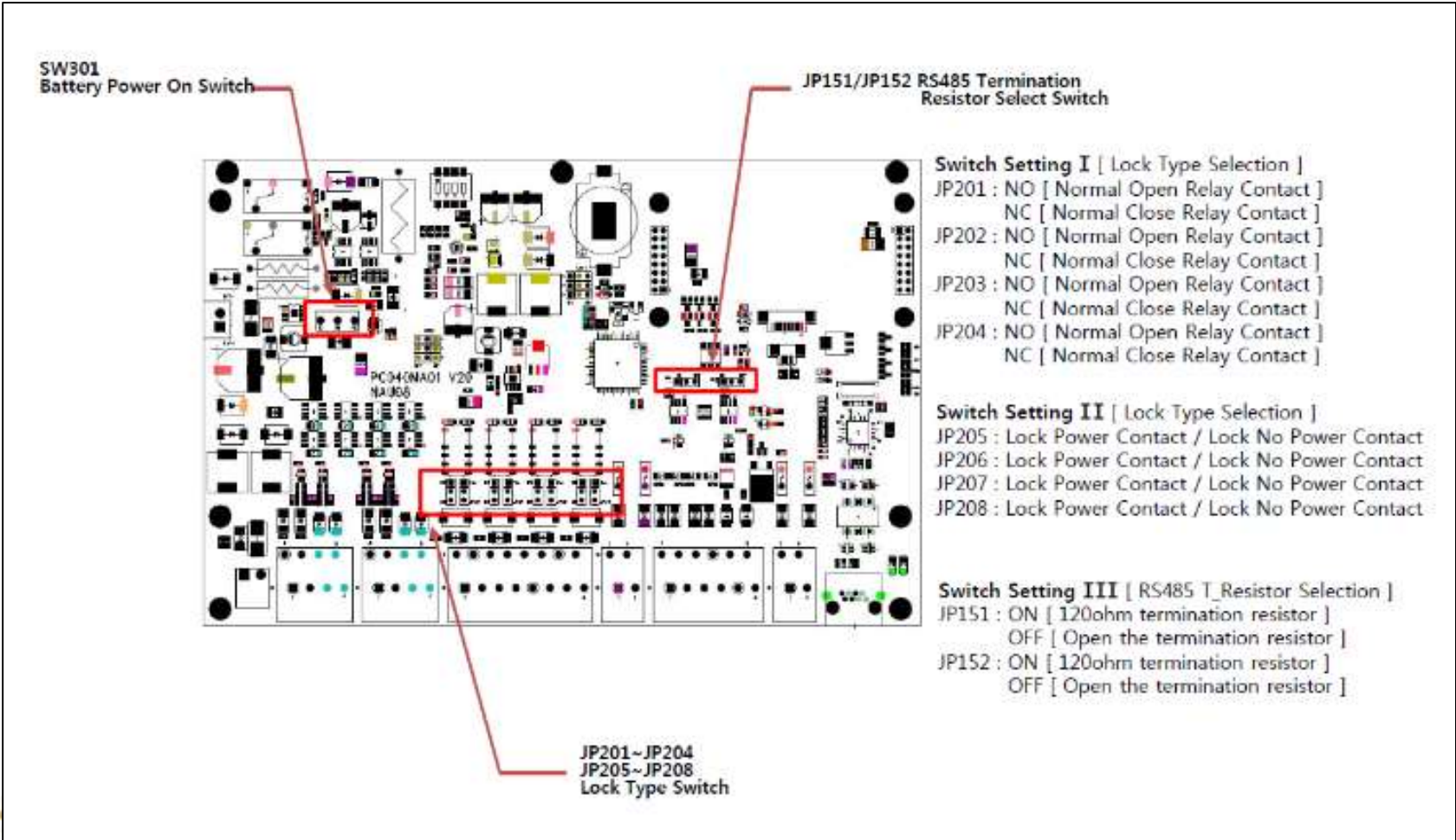




# Power Connector Connection

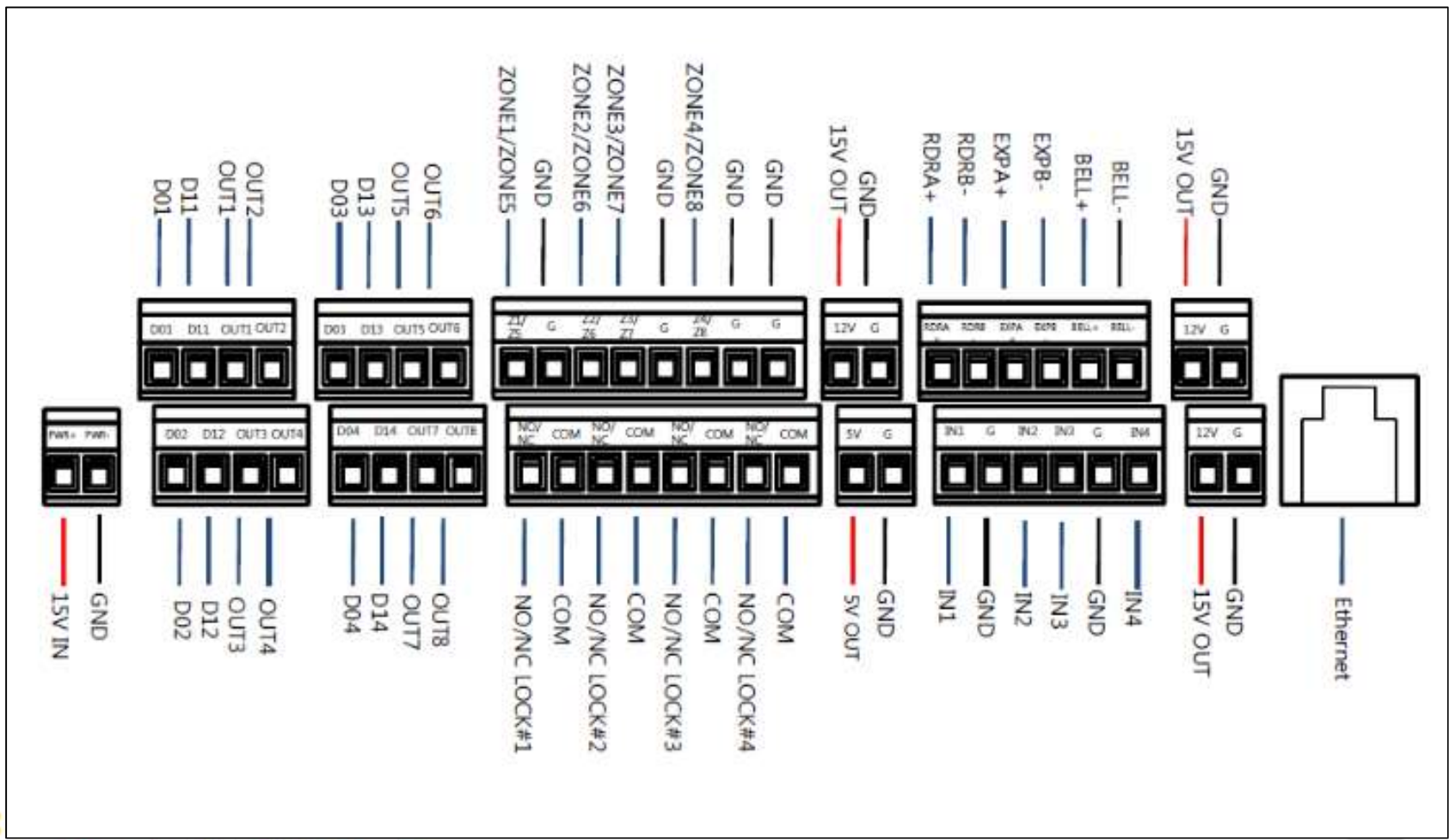


# Mainboard Feature





# Connection of Wires in Terminal Blocks







# Installation Guide for connecting MCP040 with AC2100 via RS485

